



Huebsch Homestyle Dryer YDG30RGS301NW21

Huebsch® has designed commercial dryers that offer the benefits of heavy-duty commercial quality with the attractive styling of homestyle dryers. With features like extra-large capacity and a no-hassle lint filter, Huebsch commercial laundry dryers allow you to focus on your day-to-day operations instead of your laundry.

Fast drying times

Huebsch dryers deliver fast drying results. A 7.0 cu. ft. cylinder with an 18 lb capacity offers ample space for large loads to tumble and produce fast drying times, while lowering utility consumption.

Easy maintenance

A secured lint filter is located upfront to allow for easy cleaning between cycles.

Large, rugged door

Our dryer has a rugged door and hinge with the industry's largest door opening, 2.06 sq. ft. The doors are also reversible for installation flexibility.

Unmatched durability

Our commercial dryer is manufactured at our Ripon, WI headquarters. The entire machine receives Huebsch's standard three-year warranty. In addition, Huebsch has more service representatives in the field than most brands have in their whole organization.

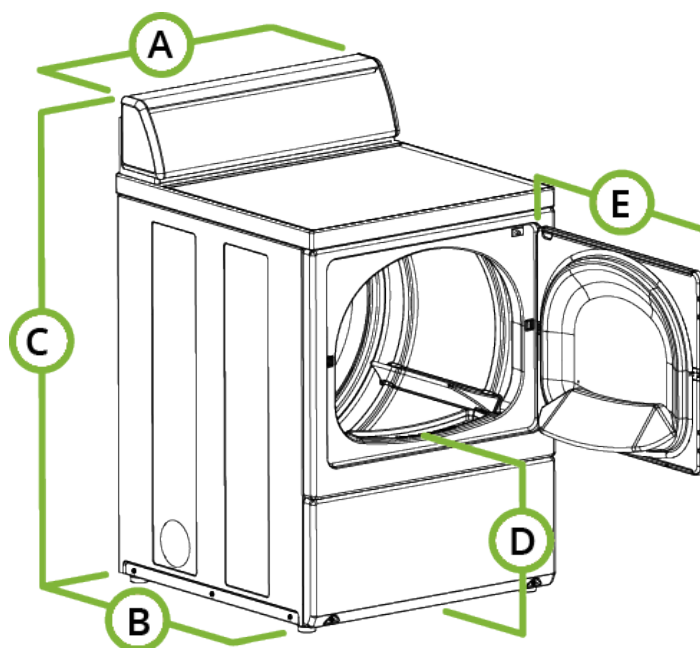


Huebsch 3 cycle Mechanical Timer

The mechanical control features a straightforward design that offer users simple dry temperature and fabric selections and uses cue led to monitor progress through the drying cycle. In addition, this feature allows the selection dry temperature and cycles, saving water and energy consumptions.

Huebsch Homestyle Dryer - Homestyle Dryer Specifications

Model	YDG30RGS301NW21
General details	
Control	3 Cycle Mechanical
Control location	Rear
Actuation	None
Drum	
Capacity kg	8,2
Volume l	198
Power	
Motor power kW	0,25
Cabinet	
Cylinder Finish	Galvanized
Color	White
Door type	Solid
Connections	
Electrical requirements	220-240/50/1
Gas inlet connection mm	9,525
Transport data	
Net weight kg	60
Shipping weight kg	64
Dimensions HxWxD mm	1086 x 683 x 711
Packed dimensions HxWxD mm	1156 x 775 x 826
Packed volume m3	0,74



Model	YDG30RGS301NW21
A	683
B	711
C	1086
D	392
E	597

* Overall depth includes vacuum breaker to door handle.

** High, Very High, and Ultra High Spin Speeds are available on the Galaxy 400 models only.

*** Circuit breaker and amp draw data shown are for models without electric heat. Consult factory for other configurations. Manufacturer strongly recommends using a circuit breaker instead of fuses. Use 3-pole circuit breakers for 3-phase machines.

**** Agency approvals may vary depending on configuration. Consult factory for details. Steam connection requires 1/2" N.P.P.

For the most accurate information, the installation guide should be used for all design and construction purposes. Due to continuous product improvements, design and specifications subject to change without notice. The quality management system of Alliance Laundry Systems is registered to ISO 9001.