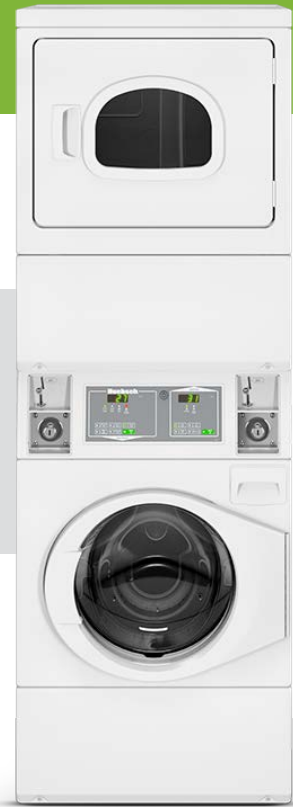


COMMERCIAL STACK WASHER / DRYER

Get the complete package in a single unit, combining our efficient dryers with the powerful performance of our industry-leading front load washers. Our line of stack washer/dryers are designed as vertical combinations that provide all of the power of Huebsch washers and dryers, while occupying only half of the floor space of a conventional washer and dryer setup. Plus, these stacked units allow you to use the same connections and hookups required as a standard washer and dryer, so you won't have to make changes to your installation.



Built for Reliable Performance

Huebsch's stack washer/dryer brings an innovative stacked concept that takes up half the floor space that a conventional washer and dryer does when situated side by side. The freestanding softmount design can be installed on all floor types or levels. Both washer and dryer have the same hookups and connections as a standard washer and dryer. No additional plumbing or electrical change is needed. Huebsch's stack washer/dryer combines heavy-duty construction with reliable operation proven to stand the test of time. They're designed with less moving parts for one reason: so you'll face fewer maintenance problems and less wear and tear down the road. Front load products have met every design standard to be 100% ADA compliant.

WASHER

- Rugged suspension system
- Industry leading 1200 RPM spin speed exerts 440 G-force extraction
- Durable stainless steel washtub
- Four-compartment soap dispenser
- Extra-wide 15.5" door opening and 180° door swing

DRYER

- Upfront lint filter easy to clean and secured
- Industry's largest door opening 2.06 sq. ft. (1914 cm²)
- Quiet, efficient blower system



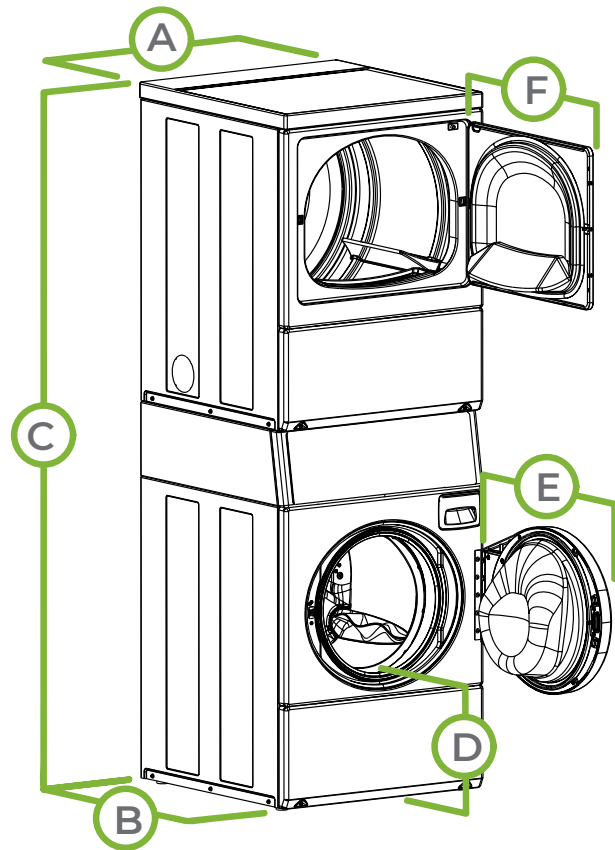
MDC

"MDC" MICRO - Our Micro-Display Control (MDC) clearly displays the vend price and keeps customers informed throughout the drying process with cycle status lights and a digital cycle countdown. Interfacing with a variety of aftermarket card reader systems, coin mechanisms and central payment systems, MDC offers many cycle selections and basic audit features.

COMMERCIAL STACK WASHER/DRYER


SPECIFICATIONS

MODEL - see below for all models and activation available		
CONTROL OPTION		MDC
COLOR		White
CAPACITY - lb (kg)	Washer	21.5 (9.5)
	Dryer	18 (8.2)
CYLINDER VOLUME cu. ft. (liters)	Washer	3.42 (96.8)
	Dryer	7.0 (198)
MOTOR SIZE - HP (kw)		0.33 (0.25)
TYPE OF GAS (GAS MODELS ONLY)		Factory equipped natural/mixed gas
WATER CONSUMPTION PER CYCLE g (liter)		13.68 (51.8)
IWF (WATER FACTOR)	gal/ft ³ (liters/liter/cycle)	4.0 (0.53)
MEF ₁₂ (Modified Energy Factor) ft ³ /kWh/cycle (Liters/kWh/cycle)		2.20 (62.3)
AVAILABLE WATER TEMPERATURES		Hot, Warm, Cold
AVAILABLE CYCLES	Washer	Heavy Duty, Normal Eco, Perm Press, Delicate, Rinse and Spin
	Dryer	Regular, Perm Press, Delicate, Time Dry, Quick Dry, Fluff Up
AIR OUTLET DIAMETER - mm (in)		4 (102)
EXHAUST AIRFLOW - cfm (liters/sec)		220 (105)
ELECTRICAL REQUIREMENTS		Gas 220-240/50/1
HEATING ELEMENT		Gas 22,500 Btu
NET WEIGHT - lb (kg)		350 (158.8)
SHIPPING WEIGHT - lb (kg)		380 (172.4)
SHIPPING DIMENSIONS APPROX. - mm (in)	Width	34 (864)
	Depth	30 (762)
	Height	80 (2032)
AGENCY APPROVALS		Gas cCSAus



A. OVERALL WIDTH - in (mm)	26.875 (683)
B. OVERALL DEPTH - in (mm)	27.73 (704)
C. OVERALL HEIGHT - in (mm)	78.17 (1986)
D. FLOOR TO DOOR OPENING -in (mm)	14.5 (368)*
E. DOOR SWING - in (mm)	24 (610)

* For ADA compliance turn legs out from base 0.5 inches

MODELS	DRAIN	ACTIVATION
HTGBXASP304NW21	Pump	Prep for Coin 

ADA Compliant

Note: Not all options are available for all models. Refer to the price list for the available models and options. Twelfth digit in model number indicates US or Canadian unit. C=Canada and T=US.

* Information shown applies to highest end control available.

For the most accurate information, the installation guide should be used for all design and construction purposes. Due to continuous product improvements, design and specifications subject to change without notice. The quality management system of Alliance Laundry Systems has been registered to ISO 9001.