

COMMERCIAL FRONT CONTROL FRONT LOAD WASHER



At Huebsch, our priority is making commercial laundry equipment that's perfectly aligned with your business philosophy. In other words, because you believe that profit is the inevitable result of superior efficiency, durability, simplicity and service, that's exactly what we deliver.

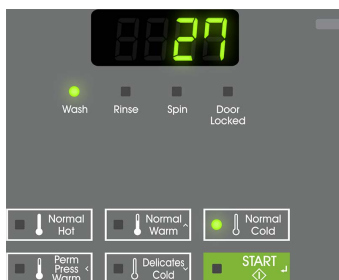


ENERGY STAR® Certified Washer

Built for Reliable Performance

Engineered and built like no other, the Huebsch® front load washer is designed to be everything people thought a washer couldn't be, beginning with its revolutionary suspension and sensing technology. This groundbreaking innovation manages and redistributes out-of-balance loads to deliver uninterrupted cycles, virtually eliminate vibration and operate so quietly neighboring residents won't even know it's running. It also touts an incredible 440 G-Force extraction speed to maximize moisture removal, reduce dry times and minimize utility costs. And as if that's not game-changing enough, this smooth-running, laundry-optimizing machine delivers increased water efficiency. It's everything you never knew it could be.

- Revolutionary balancing technology
- Industry leading 1200 RPM spin speed exerts 440 G-force extraction
- Integrated meter case
- Extra-wide 15.5" door opening and 180° door swing
- Rugged suspension system
- Easy-to-read digital display
- Large capacity meter case standard
- Multi-level vend pricing
- Individual cycle modifier keys
- Durable stainless steel tub standard
- Four-compartment soap dispenser
- Wash Alert™ capability



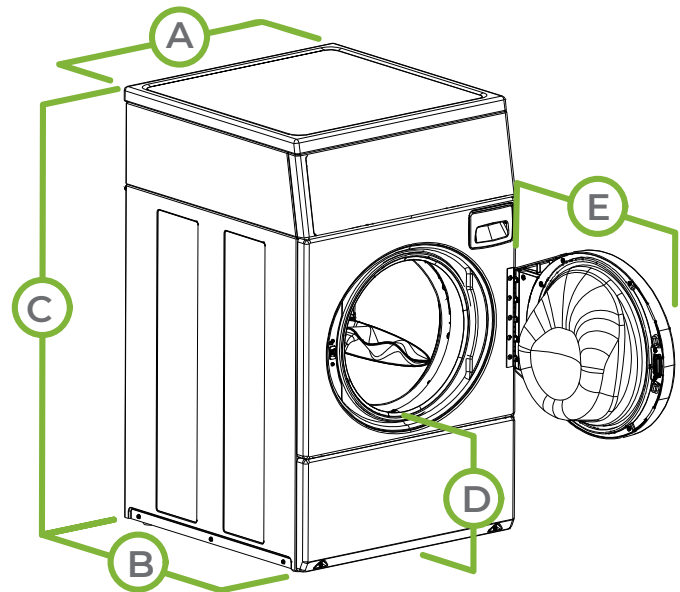
MDC

"MDC" MICRO - Our Micro-Display Control (MDC) clearly displays the vend price and keeps customers informed throughout the drying process with cycle status lights and a digital cycle countdown. Interfacing with a variety of aftermarket card reader systems, coin mechanisms and central payment systems, MDC offers many cycle selections and basic audit features.

COMMERCIAL FRONT CONTROL FRONT LOAD WASHER


SPECIFICATIONS

MODEL - see below for all models and activation available		
CONTROL OPTION	MDC	
COLOR	White	
CAPACITY - lb (kg)	21.5 (9.5)	
OVERALL WIDTH - in (mm)	26.875 (683)	
OVERALL DEPTH - in (mm)	27.73 (704)	
OVERALL HEIGHT - in (mm)	44.34 (1126)	
CYLINDER VOLUME - cu. ft. (liters)	3.42 (96.8)	
SPIN SPEED G-FORCE (RPM)	440 (1200)	
MOTOR SIZE - HP (kw)	0.9 (0.67)	
WATER CONSUMPTION PER CYCLE - g (liter)**	13.68 (1.8)	
IWF (WATER FACTOR) - gal/ft ² (liters/liter/cycle)**	4.0 (0.53)	
MEF ₁₂ (Modified Energy Factor) ft ³ /kWh/ cycle (Liters/kWh/cycle)**	2.20 (62.3)	
AVAILABLE WATER TEMPERATURES	Hot, Warm, Cold	
AVAILABLE CYCLES	Normal Hot/Warm/ Cold, Perm Press, Delicate Cold	
ELECTRICAL REQUIREMENTS (v/Hz/Ph-Amp)	220-240/50/1	
WATER PRESSURE - p.s.i. (bar)	20-120 (1.4/8.3)	
CYLINDER FINISH	Stainless Steel	
NET WEIGHT - lb (kg)	260 (118)	
SHIPPING WEIGHT - lb (kg)	270 (122.5)	
SHIPPING DIMENSIONS APPROX. - in (mm)	Width	34 (864)
	Depth	30 (762)
	Height	44.5 (1130)
AGENCY APPROVALS	cULus	



A.	OVERALL WIDTH - in (mm)	26.875 (683)
B.	OVERALL DEPTH - in (mm)	27.73 (704)
C.	OVERALL HEIGHT - in (mm)	44.34 (1126)
D.	FLOOR TO DOOR OPENING -in (mm)	14.6 (371)*
E.	DOOR SWING - in (mm)	24 (610)

* For ADA compliance turn legs out from base 0.5 inches

MODELS	DRAIN	ACTIVATION
HFNBXASP303NW21	Pump	Prep for Coin 

ADA Compliant

Note: Not all options are available for all models. Refer to the price list for the available models and options. Twelfth digit in model number indicates US or Canadian unit. C=Canada and T=US.

* Information shown applies to highest end control available.

For the most accurate information, the installation guide should be used for all design and construction purposes. Due to continuous product improvements, design and specifications subject to change without notice. The quality management system of Alliance Laundry Systems has been registered to ISO 9001.